

Technical data sheet

VA cable bracket for isCon® conductor for mounting on roof/wall structures

Item number: 5408056



- For isCon® conductor for mounting on roof/wall structures
- With sprung discs to protect the screws against loosening



A2 Stainless steel

Master data

Item number	5408056
Type	isCon H VA
Description 1	Cable fixing device
Description 2	for isCon conductor
Manufacturer	OBO
Dimension	Ø23mm
Material	Stainless steel
Smallest sales unit	50
Unit of quantity	Piece
Weight	2.85 kg
Weight unit	kg/100 pc.

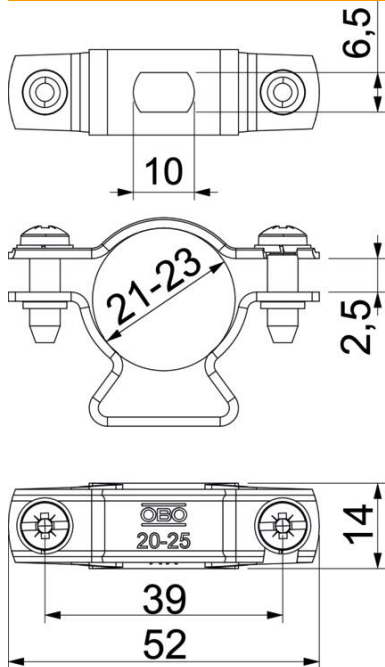
Technical data sheet

VA cable bracket for isCon® conductor for mounting on roof/wall structures

Item number: 5408056



Dimensions



Dimension A	52 mm
Dimension B	39 mm
Dimension d min.	23 mm
Dimension H	34 mm
Dimension L	2.5 mm
Dimension t	14 mm

Technical data

Cable dimensions	21-23 mm round
------------------	----------------