

# Technical data sheet

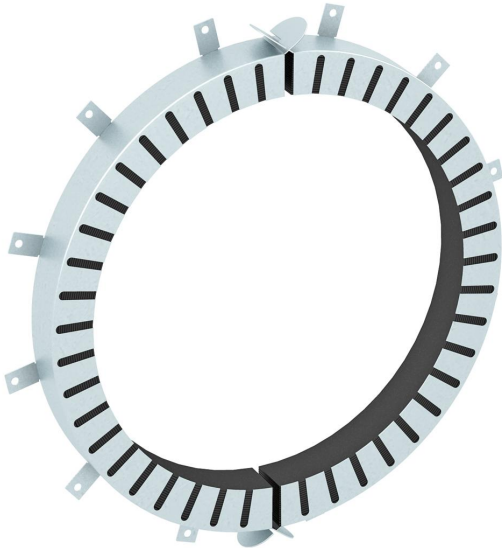
## Pipe sleeve with 12 fastening straps

Item number: 7202218



Pipe sleeve for combustible pipes.

If there is a fire, fire protection inserts inside the sheet steel housing expand, exerting a very great pressure onto the burning thermoplastic pipes. For interior application. Fastening with anchors or M8 threaded rods.



CE

Intumescent material

FS Strip galvanized

### Master data

|                     |                       |
|---------------------|-----------------------|
| Item number         | 7202218               |
| Type                | TCX-315               |
| Description 1       | Pipe sleeve           |
| Description 2       | for combustible pipes |
| Manufacturer        | OBO                   |
| Dimension           | Ø315mm                |
| Material            | Intumescent material  |
| Surface             | Strip galvanized      |
| Surface standard    | DIN EN 10346          |
| Smallest sales unit | 1                     |
| Unit of quantity    | Piece                 |
| Weight              | 425 kg                |
| Weight unit         | kg/100 pc.            |

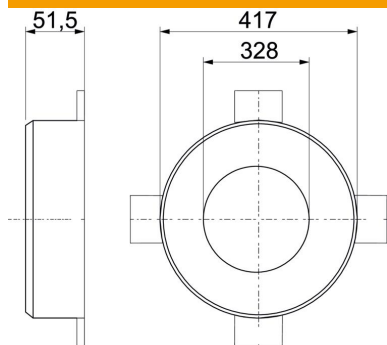
# Technical data sheet

## Pipe sleeve with 12 fastening straps

Item number: 7202218



### Dimensions



|                  |         |
|------------------|---------|
| Length           | 417 mm  |
| Width            | 417 mm  |
| Height           | 51.5 mm |
| Dimension d      | 328 mm  |
| Dimension d min. | 417 mm  |
| Dimension h      | 51.5 mm |

### Technical data

|                         |           |
|-------------------------|-----------|
| Shape                   | Round     |
| For pipe diameter, max. | 317 mm    |
| For pipe diameter, min. | 315 mm    |
| Collar lock             | Connector |
| With fastening material | no        |
| Accessories required    | yes       |