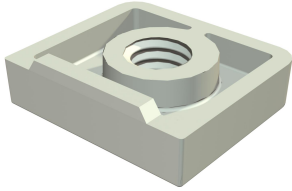


# Technical data sheet

## starQuick nut M6

Item number: 2146509



Nut for insertion in starQuick clip, to mount the clip on an M6 thread.

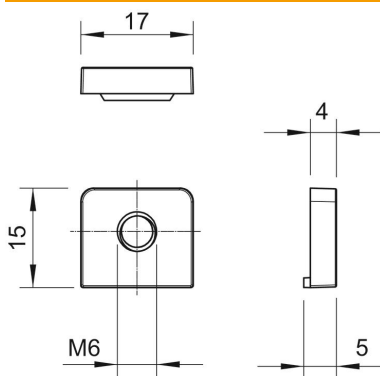


PC Polycarbonate

### Master data

Item number	2146509
Type	SQ M6
Description 1	starQuick nut
Manufacturer	OBO
Dimension	M6
Colour	Light grey; RAL 7035
Material	Polycarbonate
Smallest sales unit	100
Unit of quantity	Piece
Weight	0.07 kg
Weight unit	kg/100 pc.

### Dimensions



Dimension A	17 mm
Dimension h	5 mm
Dimension L	15 mm
Dimension t	4 mm

# Technical data sheet

starQuick nut M6

Item number: 2146509



## Technical data

Expandable	yes
Number of cables/pipes	1
Fastening type	Screw hole
Flame-resistant	acc. to VDE 0471/DIN 695 Part 2-1, test temperature 650°C
Closed	no
Halogen-free	yes
Nominal size/text	M6
Quick clip installation	Durchgangsloch,_auf_M6_Gewinde_aufschraubbar