

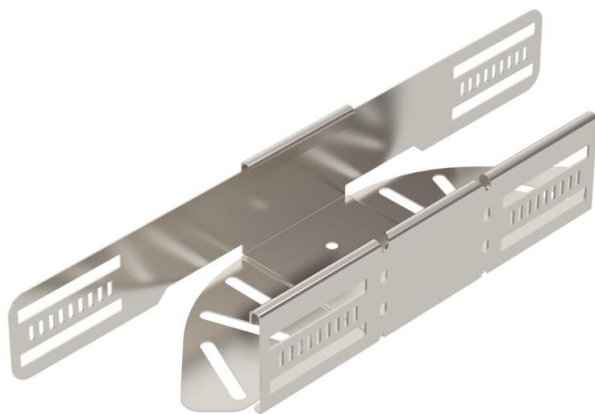
# Technical data sheet

Bend, angle-adjustable, 60 A4

Item number: 6037170



Angle-adjustable bend for the creation of a horizontal branch, fitting for lock and screw-on cable trays of side height 60 mm. Adjustable angle 0–90°. Screwless mounting with double clamps or screw connection with FRS truss-head screws and M6 combination nuts. Can be used indoors and outdoors. Fastening material must be ordered separately.



**A4** Stainless steel

**2B** Bright, treated

## Master data

Item number	6037170
Type	RB W 610 A4
Description 1	Adjustable bend
Description 2	horizontal
Manufacturer	OBO
Dimension	60x100
Material	Stainless steel
Surface	Bright, treated
Surface standard	
Smallest sales unit	1
Unit of quantity	Piece
Weight	41.4 kg
Weight unit	kg/100 pc.

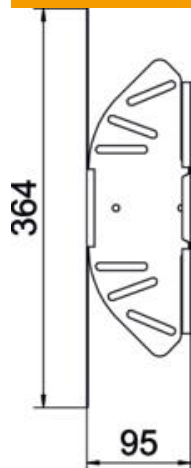
# Technical data sheet

Bend, angle-adjustable, 60 A4

Item number: 6037170



## Dimensions



Width	100 mm
Height	60 mm
Plate thickness	1 mm
Dimension B	100 mm
Dimension L	364 mm

## Technical data

Bend (angle)	Adjustable
Connector version	Integrated connector
Type	Adjustable bend_complete
Maintain electrical functions	no
Material thickness, floor plate	1 mm
With cover	no
Mounting perforation in base	yes
NATO hole pattern	no
Change of direction	Horizontal
Rustproof steel, pickled	no
Side perforation	yes
Permitted temperature range, max.	120 °C
Permitted temperature range, min.	-20 °C
Wide-span version	no
Type of connector, cable support system	Screwed
Recommended quantity of bolts	10 St.
Rail thickness	1.25 mm