

# Technical data sheet

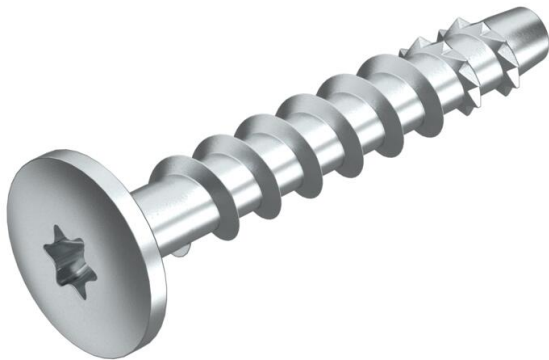
## MMS-plus MS 7.5x50 mounting bolt tie, with flat pan head

Item number: 3498261



Bolt tie for direct mounting without additional anchors in cracked and uncracked concrete and masonry. With large round head to fasten mounting and profile rails. Torx drive T30.

Construction product tested according to EAD and CE mark, with European Technical Assessment (ETA) and proof of suitability. Load-bearing capacities under fire loads proven up to fire resistance class R120.



**St** Steel

**G** Electrogalvanized

### Master data

Item number	3498261
Description 1	Rail anchor
Description 2	with flange head
Manufacturer	OBO
Dimension	7,5x50mm
Material	Steel
Surface	Electrogalvanized
Surface standard	EN ISO 19598 / EN ISO 4042
Smallest sales unit	100
Unit of quantity	Piece
Weight	1.5 kg
Weight unit	kg/100 pc.

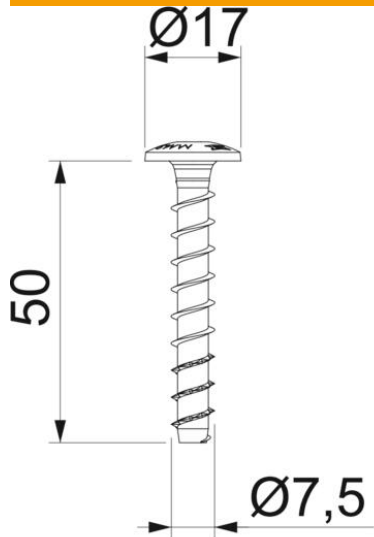
# Technical data sheet

MMS-plus MS 7.5x50 mounting bolt tie, with flat pan head

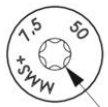
Item number: 3498261



## Dimensions



Dimension	7,5 x 50
Length	50 mm
Dimension L	50 mm



T30

## Technical data

Drill hole diameter, min.	6 mm
Head diameter	17 mm
Head shape	Miscellaneous
Screw system	Torx