

# Technical data sheet

## Service pole, type ISST70140B

Item number: 6290010



ISS twin aluminium service pole with a 76.5 mm system opening.

Set consists of:

1 single-compartment pole with clamping fastening

Total length: 3,315–3,480 mm

1 fastening option for lighting

1 ceiling fastening with clamping device

1 device installation profile

Length: 1,000 mm

1 aluminium cover

Length: 1,000 mm

1 ISSBP70140 floor plate

The area for device installation is suitable to accept front-locking

device installation sockets of the 71GD... series. The panel to fasten luminaires is attached at a height of 1,850 mm and its own height is 148 mm. It is possible to create various kinds of workplace or general room lighting using the standard wall brackets from lighting manufacturers.

The following accessories can be used, depending on the mounting situation.



**Alu** Aluminium

### Master data

Item number	6290010
Type	ISST70140BRW
Description 1	Service pole
Description 2	for lighting
Manufacturer	OBO
Dimension	3000x146x65
Colour	Pure white; RAL 9010
Material	Aluminium
Smallest sales unit	1
Unit of quantity	Piece
Weight	860 kg
Weight unit	kg/100 pc.

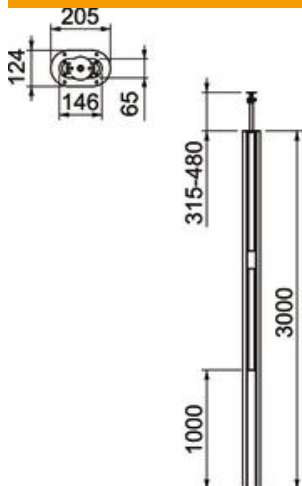
# Technical data sheet

Service pole, type ISST70140B

Item number: 6290010



## Dimensions



Length	3,000 mm
Width	146 mm
Height	65 mm

## Technical data

Number of usable covers	1
Number of compartments	1 St.
Version for	Single-sided
Fastening type	Tension
Floor mounting	yes
Ceiling mounting	yes
Continuous profile	no
Halogen-free	yes
Height compensation, max.	480 mm
Height compensation, min.	315 mm
Cable entry	Top/bottom
Cover width	76.5 mm
Changes according to location	no
Pole shape	Oval
Pole height, max.	3480 mm
Pole height, min.	3315 mm
Adjustable	yes
Pre-wired	no