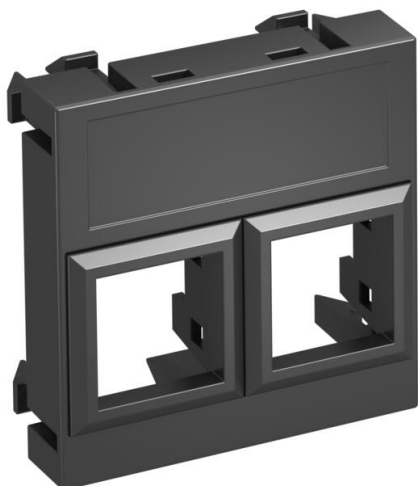


Technical data sheet

Data technology support, 1 module, straight outlet, type LE

Item number: 6119306



Data technology support with straight outlet and without a locking slider to accept two data technology connection modules with RJ45 socket. The locking fastening is suitable for horizontal and vertical installation in the system environment. Type LE has a special module seat and is designed for indirect fastening of the data connection modules in the mounting opening.

The type LE data technology support is suitable for accepting the following data connection modules: LexCom/Schneider: LexCom 125, LexCom 250 and LexCom 500.

For installation in Rapid 45 and Rapid 80 device installation trunking, ISS service poles and underfloor systems.

PC Polycarbonate

Master data

Item number	6119306
Type	DTG-02LE SWGR1
Description 1	Data technology support
Description 2	f.2 connection modules type LE
Manufacturer	OBO
Dimension	45x45mm
Colour	Black-grey; RAL 7021
Material	Polycarbonate
Smallest sales unit	1
Unit of quantity	Piece
Weight	0.9 kg
Weight unit	kg/100 pc.

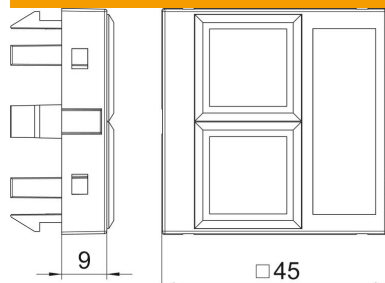
Technical data sheet

Data technology support, 1 module, straight outlet, type LE

Item number: 6119306



Dimensions



Width	45 mm
Height	45 mm

Technical data

Surface version	Matt
Fastening type	Lock
Labelling panel	With labelling panel
Halogen-free	yes
Hinged cover	no
Lamp-wire connector	no
With printed label	no
With dust protection	no
Mounting opening	Type LE
Protection rating	IP20
Depth	9 mm
Support ring	no
Transparent	no
Use	Installable data connector
Strain relief option	no
Combination	Basic element with central cover plate